

COMPACT EXCAVATOR

# HX10A



# FOCUSED TECHNOLOGIES FOR THE RESULTS YOU WANT

Hyundai A-series compact excavators are designed to create better conditions for operators and deliver the ultimate ownership experience. Every detail is carefully fine-tuned to match your needs in the field, including better safety and comfort, higher productivity, maximum uptime and easy servicing. It's all part of the Hyundai Effect.

See more at [hyundai-ce.eu](http://hyundai-ce.eu)



## SPECIFICATIONS

ENGINE	
Maker / Model	Yanmar 3TNV70 / STAGE V
Type	Water-cooled four stroke diesel engine 3-cylinder indirect injection
Rated flywheel horse power	9,9 kW (13.3 HP) @ 2,100 rpm
Max. Torque	5,3 kgf.m (38 lbf.ft) @ 1,500 rpm
Bore x stroke	70 x 74 mm (2.8" x 2.9")
Piston displacement	854 cc (52.3 cu in)
Battery	12 V 30 Ah
Starting motor	12 V - 1.1 kW
Alternator	12 V - 20 A

HYDRAULIC SYSTEM	
MAIN PUMP	
Type	Twin gear pump 2 x 4 cm <sup>3</sup> (2 x 0.24 in <sup>3</sup> )
Max. Flow	2 x 10.7 l/min @ 2675 rpm (2 x 2.8 gpm @ 2675 rpm)
Sub-pump for pilot circuit	n/a

HYDRAULIC MOTORS	
Travel	Slow-running drive motor without gears and with internal leak oil drain
Swing	Slow-running swing motor without gears with automatic break

RELIEF VALVE SETTING	
Travel	170 ±3 bar (2466 psi)
Swing circuit	70 bar (1015 psi)

OPERATOR'S CABIN	
Sound power level (LWA) 1	93 dB (A)
Operator-perceived sound pressure level (LPA) 2	77 dB (A)

COOLANT & LUBRICANT CAPACITY			
	liter	US gal	UK gal
Fuel tank	7	1.85	1.54
Engine coolant	2,9	0.77	0.64
Engine oil	2,5	0.66	0.55
Hydraulic tank	13,8	3.65	3.03

HYDRAULIC CONTROLS	
Pilot control	Two joysticks - mechanically operated
Engine throttle	Two travel levers - mechanically operated

SWING SYSTEM	
Swing speed	8 rpm
Tail swing radius	747 mm (29 in)

DRIVES & BRAKES	
Max. travel speed (high) / (low)	1.82 km/h (1.1 mph)
Maximum gradeability	30°/58 %

DIGGING FORCE (ISO)	
Bucket breakout force	8.9 kN (2001 lbf)
Arm crowd force	4.5 kN (1012 lbf)

OPERATING WEIGHT (WITH ROLLBAR)	
Operating weight*	1087 kg (2396 lbs)
Transport weight**	990 kg (2182 lbs)
Track Width	180 mm (7 in)
Ground pressure	0.24 kg/cm <sup>2</sup> (3.4 lbs/in <sup>2</sup> )

\* Service weight: basic machine + full fuel tank + backhoe bucket (250 mm/10 in) + user (75 kg/165 lbs).

\*\* Transport weight: basic machine + 10% fuel capacity.

UNDERCARRIAGE	
Travel gear width (retracted/extended)	700/860 mm (2'-4"/2'-10")
Blade width (folded in/out)	700/860 mm (27.55"/33.85")
No. of track roller on each side	2

HYDRAULIC SYSTEM	
Operating pressure at connection	Max. 170 bar (2466 psi)
Flow rate	Max. 20 l/min (5.3 gal/min)

DIMENSIONS		
Height	Dimensions model with rollbar	2,261 mm (89 in)
	Dimensions model without rollbar	1,436 mm (57 in)
Upper carriage width	730 mm (29 in)	
Width with retracted / extended telescopic travel gear	700 / 860 mm (28 / 34 in)	
Width with stabilizer blade folded in / out	700 / 860 mm (28 / 34 in)	
Transport length	2,747 (9')	
Max. digging depth	1,766 mm (70 in)	
Stick length	890 mm (35 in)	
Max. vertical digging depth	1,320 mm (52 in)	
Max. digging height	2,853 mm (9'-4")	
Max. tilt-out height	2,008 mm (79 in)	
Max. digging radius	3,092 mm (10'-2")	
Max. reach at ground level	3,046 mm (10')	



# DIMENSIONS & WORKING RANGE

HX10A DIMENSIONS	
Overall length	2,747 mm (108 in)
Overall height	1,436 mm (57 in)
Overall width	730 mm (29 in)
Tail swing radius	747 mm (29 in)
Track length	1,220 mm (48 in)
Track gauge	700 - 860 mm (28 - 34 in)
Track shoe width	180 mm (7 in)
Ground clearance	130 mm (5 in)

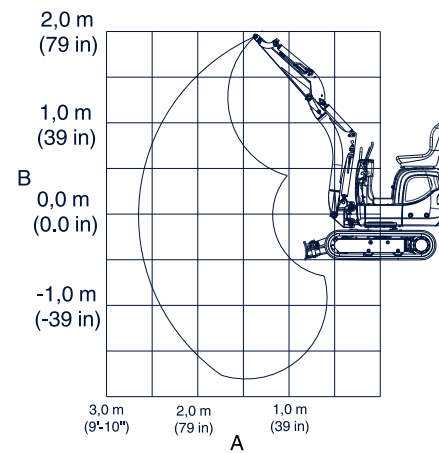
HX10A WORKING RANGE	
Boom length	1,320 mm (52 in)
Arm length	890 mm (35 in)
Max. digging reach	3,092 mm (122 in)
Max. digging reach at ground	3,046 mm (120 in)
Max. digging depth	1,766 mm (70 in)
Max. vertical wall digging depth	1,320 mm (52 in)
Max. digging height	2,853 mm (112 in)
Max. dump height	2,006 mm (79 in)
Min. front swing radius	1,039 mm (41 in)

# LIFTING CAPACITY

A	Reach from live ring center
B	Height

All table indications in kg (lbs) and horizontal position on firm and level ground, and without bucket or attachment.  
 Calculation basis: according to ISO 10567.  
 Setting pressure on boom cylinder: 17000 kPa (2466 psi)  
 The machine's lift capacity is restricted by the hydraulic output and the hydraulic system's stabilizing features.  
 Neither 75% of the static tilt load nor 87% of the hydraulic lift capacity is exceeded.

- The lift capacity applies under the following conditions:
- Lubricants and engine/vehicle fluids at the mandatory levels
  - Full fuel tank
  - Machine at operating temperature
  - Operator weight: 75 kg (165 lbs)
  - Telescopic travel gear extended



## LONGITUDINAL DIRECTION, DOZER BLADE AT FRONT AND RAISED

A/B			2.5 m (98 in)	2.0 m (79 in)	1.5 m (59 in)	1.0 m (39 in)
	A max (m/ft)	kg/lbs				
2.4 m (94 in)	1.41 (4.61)	216 (477)	--	--	--	--
2.0 m (79 in)	2.03 (6.64)	205 (453)	--	203 (448)	--	--
1.5 m (59 in)	2.40 (7.86)	163 (358)	--	189 (416)	--	--
1.0 m (39 in)	2.59 (8.49)	142 (314)	151 (332)	212 (469)	247 (544)	--
0.5 m (20 in)	2.65 (8.7)	135 (298)	147 (325)	204 (450)	311 (685)	--
0.0 m (0.0 in)	2.60 (8.52)	137 (303)	145 (319)	197 (434)	296 (653)	570 (1257)
-0.5 m (-20 in)	2.41 (7.91)	146 (323)	--	194 (428)	292 (644)	561 (1236)
-1.0 m (-39 in)	2.05 (6.73)	138 (304)	--	149 (328)	243 (536)	418 (922)

# LIFTING CAPACITY

## LONGITUDINAL DIRECTION, DOZER BLADE AT FRONT AND LOWERED

A/B			2.5 m (98 in)	2.0 m (79 in)	1.5 m (59 in)	1.0 m (39 in)
	A max (m/ft)	kg/lbs				
2.4 m (94 in)	1.41 (4.61)	216 (477)	--	--	--	--
2.0 m (79 in)	2.03 (6.64)	205 (453)	--	203 (448)	--	--
1.5 m (59 in)	2.40 (7.86)	191 (420)	--	189 (416)	--	--
1.0 m (39 in)	2.59 (8.49)	177 (391)	185 (407)	217 (478)	247 (544)	--
0.5 m (20 in)	2.65 (8.7)	166 (365)	184 (407)	247 (544)	366 (807)	--
0.0 m (0.0 in)	2.60 (8.52)	155 (343)	171 (377)	247 (544)	379 (835)	678 (1495)
-0.5 m (-20 in)	2.41 (7.91)	146 (323)	--	215 (475)	325 (718)	561 (1236)
-1.0 m (-39 in)	2.05 (6.73)	138 (304)	--	149 (328)	243 (536)	418 (922)

## LONGITUDINAL DIRECTION, DOZER BLADE AT REAR

A/B			2.5 m (98 in)	2.0 m (79 in)	1.5 m (59 in)	1.0 m (39 in)
	A max (m/ft)	kg/lbs				
2.4 m (94 in)	1.41 (4.61)	216 (477)	--	--	--	--
2.0 m (79 in)	2.03 (6.64)	205 (453)	--	203 (448)	--	--
1.5 m (59 in)	2.40 (7.86)	175 (386)	--	189 (416)	--	--
1.0 m (39 in)	2.59 (8.49)	154 (339)	162 (358)	217 (478)	247 (544)	--
0.5 m (20 in)	2.65 (8.7)	146 (322)	159 (351)	220 (484)	335 (738)	--
0.0 m (0.0 in)	2.60 (8.52)	148 (327)	156 (344)	213 (469)	320 (705)	618 (1363)
-0.5 m (-20 in)	2.41 (7.91)	146 (323)	--	210 (462)	316 (696)	561 (1236)
-1.0 m (-39 in)	2.05 (6.73)	138 (304)	--	149 (328)	243 (536)	418 (922)

## CROSSWISE

A/B			2.5 m (98 in)	2.0 m (79 in)	1.5 m (59 in)	1.0 m (39 in)
	A max (m/ft)	kg/lbs				
2.4 m (94 in)	1.41 (4.61)	216 (477)	--	--	--	--
2.0 m (79 in)	2.03 (6.64)	167 (367)	--	170 (376)	--	--
1.5 m (59 in)	2.40 (7.86)	126 (277)	--	172 (378)	--	--
1.0 m (39 in)	2.59 (8.49)	109 (240)	116 (255)	166 (366)	247 (544)	--
0.5 m (20 in)	2.65 (8.7)	103 (227)	113 (248)	158 (347)	241 (531)	--
0.0 m (0.0 in)	2.60 (8.52)	104 (230)	110 (242)	150 (332)	226 (499)	431 (951)
-0.5 m (-20 in)	2.41 (7.91)	115 (253)	--	148 (325)	222 (490)	433 (955)
-1.0 m (-39 in)	2.05 (6.73)	138 (304)	--	149 (328)	225 (497)	418 (922)